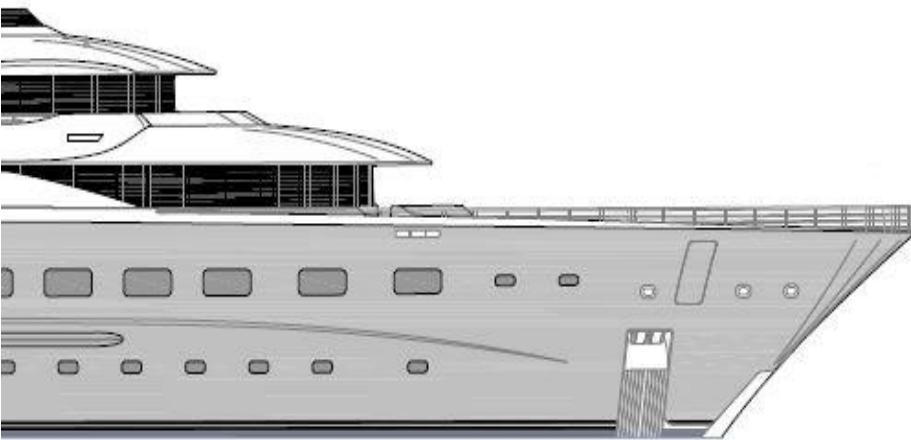




FUCHS

FÖRDERTECHNIK

FUCHS MAN-RIDING HOOKS FOR LUXURY YACHTS



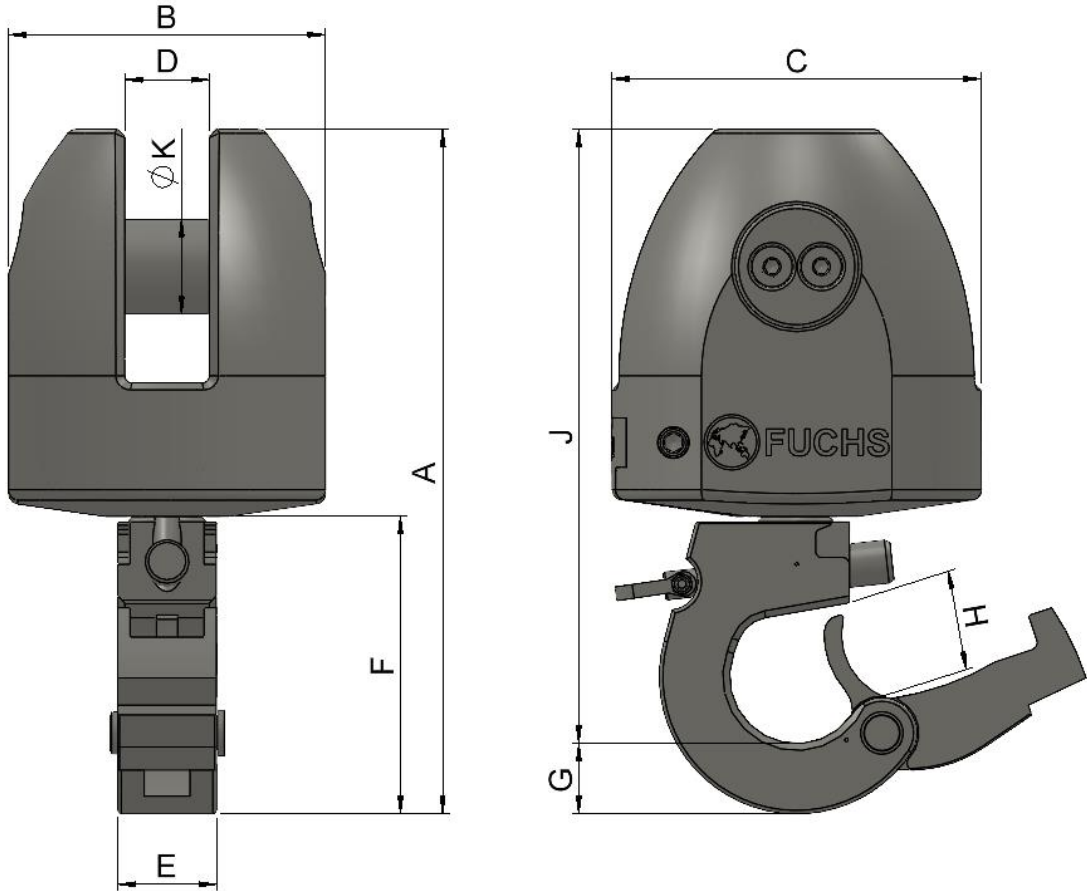
THE INTELLIGENT HOOK SYSTEM:

- Type approved by DNV GL
- Usable for man-riding and normal load cases
- Compact design with low headroom and integrated hook weight (size S, M or L)
- Swivel hook for fibre rope
- Self-locking when hook is loaded
- Easy and ergonomic unlocking
- Safety factor 6x SWL
- Forged stainless steel
- High gloss polished





TECHNICAL SPECIFICATION:



Type	SWL max.[t]	Dimension [mm]										Rope Diameter ø [mm]	Approx. Weight [kg]	Art. No.
		A	B	C	D	E	F	G	H	J	K			
FH1-1/1 (S)	2	195	90	105	24	28	83	20	28	175	27	14	5,4	FF-100009
FH1-1/1 (M)	3	200	90	105	31	28	83	20	28	180	27	18	5,4	FF-100010
FH1-1/1 (L)	4	205	90	105	35	28	83	20	28	185	27	20	5,4	FF-100011
FH2-1/1 (S)	5	325	145	160	38	38	137,5	32,5	49,5	292,5	50	18-22	22	FF-105945
FH2-1/1 (M)	6	329	145	160	44	38	137,5	32,5	49,5	296,5	50	20-24	21,1	FF-106116
FH2-1/1 (L)	8	339	145	160	50	38	137,5	32,5	49,5	306,5	50	22-30	22	FF-106119